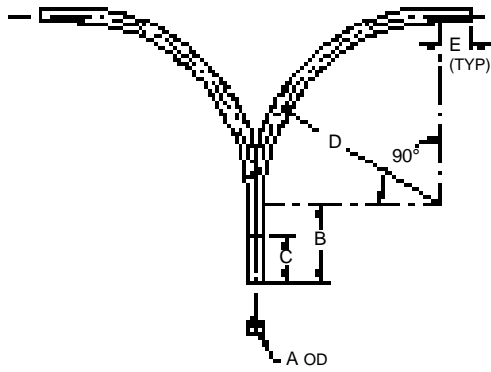


Material Manifold Wyes

- Joins two incoming conveying lines into a single line.
- 304 stainless steel construction



Part No. Tube	A	B	C	Radius D	Tangent E
5302-266	2	10	6	24	4
5302-267	2 $\frac{1}{2}$	11	6	24	5
5302-268	3	12	6	36	6
5302-269	4	14	6	48	8
5302-270	5	16	6	48	10
5302-271	6	18	6	60	12

All dimensions are in inches

Part No. Pipe	A	B	C	Radius D	Tangent E
5302-272	2 $\frac{3}{8}$	10	6	24	4
5302-273	3 $\frac{1}{2}$	12	6	36	6
5302-274	4 $\frac{1}{2}$	14	6	48	8
5302-275	5 $\frac{9}{16}$	16	6	48	10
5302-276	6 $\frac{5}{8}$	18	6	60	12